

K-SERIES
950K CRAWLER DOZER



JOHN DEERE

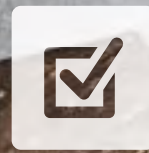


MOVE MORE

INTRODUCING THE
950K CRAWLER DOZER



ANN



RELIABLE



PRODUCTIVE

HAVE IT BOTH WAYS.

POWERFUL
D EFFICIENT



IN A CLASS BY ITSELF.

Your opinion matters. So when you told us you wanted a reliable, high-production dozer in the 260–360-hp category, we listened. Building on the success of our popular production-class 1050K, our versatile 950K Dozer is in a class all its own. Big enough to handle mass-excavation and road-building tasks, it's equally adept at fine grading and site development.

All K-Series Dozers are designed and built using quality parts and components by John Deere in Dubuque, Iowa, USA. The 950K delivers the exceptional reliability and performance in high-production applications you've come to expect from Deere. And it's backed by our worldwide dealer network.

ROAD WARRIOR.

ATTACKS ROAD BUILDING AND OTHER APPLICATIONS

The 950K rounds out the John Deere dozer line with an unbeatable combination of power and efficiency. This highly capable crawler puts more power to the ground than previous models. And the Eco mode feature regulates engine rpm to burn less fuel than conventional powertrains.

Eco mode

Standard Eco mode burns up to 20-percent* less fuel than conventional torque-converter transmissions. It automatically adjusts engine rpm and transmission settings based on load without sacrificing performance.

Grade-control system ready

The 950K Dozer is factory equipped with fully integrated Topcon 3D-MC² grade-control components and is also set up for Trimble and Leica systems. Simply plug in the components, calibrate, and go to work.

Low-effort control

A single lever provides low-effort control of steering, forward/reverse travel, and ground speed. Employing a thumb-actuated travel-speed switch, the lever is also detented so it doesn't require an operator's constant touch or attention.

More power to the ground

Hydrostatic transmission delivers 15-percent more power to the ground than conventional torque-converter transmissions.



**ECO MODE REDUCES
FUEL CONSUMPTION**
BY UP TO 20%*



*Depending on operator utilization of machine

STANDOUT FEATURE



**SMOOTH
MOVES.**

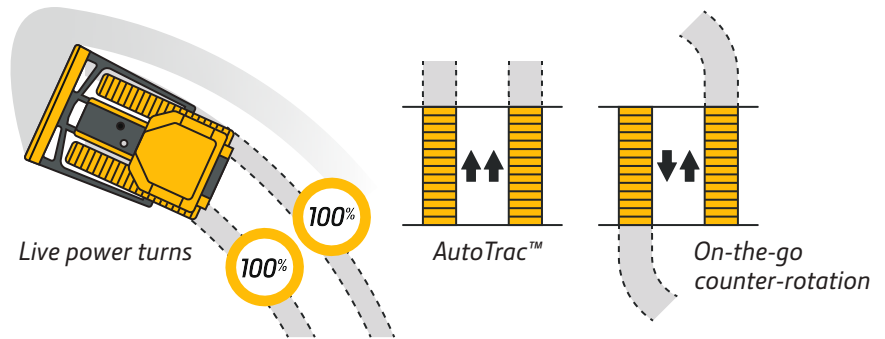


DUAL-PATH HYDROSTATIC TRANSMISSION



EFFORTLESSLY PRODUCTIVE

Dual-path hydrostatic (HST) transmission allows you to push a full load through turns without losing material, unlike torque-converter transmissions on competitor machines. You'll get lots done without a lot of extra effort.



HYDROSTATIC DOZER ADVANTAGES

Move more, lose less

HST transmission delivers smooth moves, infinite speed control, and live power turns that push a full load without losing material.

Smooth, predictable response

Low-effort controls command the full-featured HST drivetrain, ensuring smooth, predictable response at all times, in all conditions, while virtually eliminating jerky and abrupt movements.

Power-management system

Simply set maximum desired ground speed, and the power-management system automatically maintains peak engine rpm and power efficiency without stalling or shifting.

Exclusive TMC

Total Machine Control (TMC) lets an operator select decelerator mode and response, forward/reverse ground-speed ranges, steering modulation, F-N-R shift rate, and forward/reverse speed ratios.

WHAT THE EXPERTS ARE SAYING:



“Using the hydrostatic transmission, the 950K will sense the load and give you the power you need. And in Eco mode, it will still carry a heavy load while saving fuel. It’s an amazing machine.”

– Dave Rock, equipment asset manager, Sureway Construction



MORE RIPPING PRODUCTIVITY

3-SHANK RIPPER CAN BE PITCHED ON THE GO



Ride in style

Creature comforts in the fully enclosed cab include low-effort controls that deliver reliably predictable response, enhanced LCD color monitor featuring push-button access to a wealth of machine info, durable sealed-switch module that enables fingertip control of machine functions including keyless start, deluxe suspension high-back adjustable seat, and easy-to-appreciate HVAC system.

Stay on track

Track on ground of 126.5 in. for the standard configuration and 135.1 in. for LGP provides reliable stability in difficult terrain.

Programmable return to pitch

Hydraulic dual-tilt option allows the operator to control blade pitch from the cab — perfect for applications where pitch must be adjusted multiple times in a single push. Using programmable return-to-pitch settings, the operator can preset blade-pitch positions, which can be activated at the touch of a button.

Increased productivity

The 950K delivers exceptional productivity in slot trenching, ripping, and spreading applications.

Efficient ripping

More track on the ground combined with efficient power management adds up to increased ripper productivity. Triple-shank ripper can be pitched on the go, further boosting productivity.

Configured for your application

Rock racks, blade skins, and push plates are now available as options from the factory.



LET 'ER RIP.

***THE 950K MAKES A BIG PRODUCTION
OUT OF EVERYTHING***

Boasting superior power, weight, and track on ground, the 950K delivers the performance you need for high-production applications. And who wouldn't be more productive in this quiet, spacious walk-through cab loaded with comfort-crafted amenities.

NOTHING RUNS LIKE A DEERE



DESIGNED AND MANUFACTURED IN THE U.S.A.

The 950K was designed and built with state-of-the-art tools and techniques by a quality-conscious workforce at our world-class facility in Dubuque, Iowa. And it's backed by our legendary dealer network of parts and service support.



OVAL-TRACK

DESIGN EXTENDS WEAR LIFE

Durable undercarriage

Heavy-duty undercarriage is sealed, lubricated, and built to last. Its no-nonsense oval-track design has only one wear-causing forward-travel flex point, for longer life.

Hydraulic-driven cooling-system fan

Available reversing hydraulic-powered fan automatically back-blows the cooler cores at preset intervals. When conditions demand more frequent cleaning, simply press a button to actuate the reversing cycle.

Interchangeable wear parts

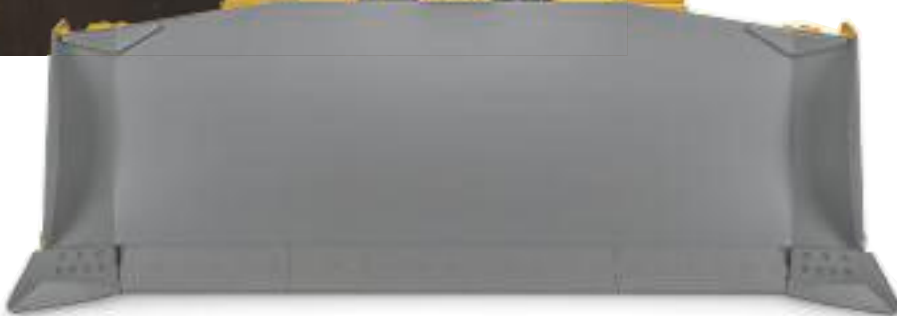
Most wear parts such as cutting edges and end bits are interchangeable with other competitive machines, so you only have to stock one part if you run a mixed fleet.

Fluid-efficient, reliable Stage II diesel

EU Stage II engine meets emission regulations without sacrificing power or torque.

The choice is yours

With heavy-duty, high-profile push beams and three-position pitch adjustments, an outside-dozer blade (OSD [LGP and standard configurations]) is highly durable and productive.



ONE-STOP SHOP

WE'VE GOT YOU COVERED.

Simple to service

Access to dipsticks, fill tubes, maintenance-free batteries, and vertical filters is wide open. Same-side grouped service points make quick work of the daily routine.

Quick refills

Fast-fuel and quick fluid-service options help maximize uptime while ensuring clean refills — perfect for high-hour, nonstop applications and in environmental areas that are highly regulated.

Standard tilt cab

Operator station tilts a full 70 deg. in only minutes, for wide-open drivetrain-component access.

Backed to the max

The 950K Dozer is fully supported by the worldwide John Deere dealer network.

Auto-idle and auto shutdown

Auto-idle automatically reduces engine speed when the machine is not moving and no functions are active. Exclusive auto shutdown turns off the engine after extended inactivity.



Keep downtime down with
JOHN DEERE ULTIMATE UPTIME

John Deere Ultimate Uptime, featuring John Deere WorkSight™, is a customizable support solution available exclusively from your Deere dealer. This flexible offering maximizes equipment availability with standard John Deere WorkSight capabilities that can help prevent future downtime and speed repairs when needed. In addition to the base John Deere WorkSight features, our dealers work with you to build an uptime package that meets the specific needs of your machine, fleet, project, and business, including customized maintenance and repair agreements, onsite parts availability, extended warranties, fluid sampling, response-time guarantees, and more.

Get valuable insight with
JOHN DEERE WORKSIGHT

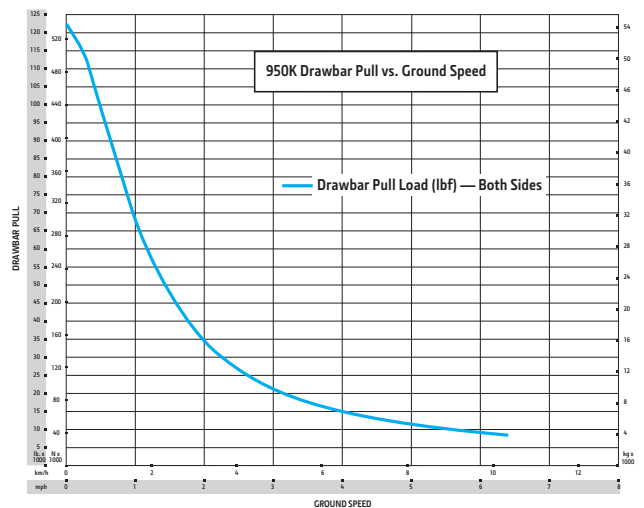
John Deere WorkSight is an exclusive suite of telematics solutions that increases uptime while lowering operating costs. At its heart, JDLink™ Ultimate machine monitoring provides real-time utilization data and alerts to help you maximize productivity and efficiency while minimizing downtime. Remote diagnostics enable your dealer to read codes and record performance data without a trip to the jobsite.





950K SPECIFICATIONS

Engine	950K STANDARD		950K LGP	
Blade Type	<i>Outside Dozer (OSD) Semi-U</i>	<i>Outside Dozer (OSD) U</i>	<i>Outside Dozer (OSD) Semi-U</i>	<i>Outside Dozer (OSD) Straight</i>
Manufacturer and Model	John Deere PowerTech™ Plus 6090	John Deere PowerTech Plus 6090	John Deere PowerTech Plus 6090	John Deere PowerTech Plus 6090
Non-Road Emission Standard	EU Stage II	EU Stage II	EU Stage II	EU Stage II
Displacement	9.0 L (549 cu. in.)	9.0 L (549 cu. in.)	9.0 L (549 cu. in.)	9.0 L (549 cu. in.)
SAE Net Rated Power	198 kW (265 hp) at 1,800 rpm	198 kW (265 hp) at 1,800 rpm	198 kW (265 hp) at 1,800 rpm	198 kW (265 hp) at 1,800 rpm
Net Peak Torque	1245 Nm (913 lb.-ft.) at 1,300 rpm	1245 Nm (913 lb.-ft.) at 1,300 rpm	1245 Nm (913 lb.-ft.) at 1,300 rpm	1245 Nm (913 lb.-ft.) at 1,300 rpm
Aspiration	Turbocharged and air-to-air aftercooled	Turbocharged and air-to-air aftercooled	Turbocharged and air-to-air aftercooled	Turbocharged and air-to-air aftercooled
Air Cleaner	Dual-element dry canister with external rotary ejector precleaner		Dual-element dry canister with external rotary ejector precleaner	
Cooling	STANDARD / LGP			
Type	Variable-speed suction fan with automatic reversing			
Engine Coolant Rating	-37 deg. C. (-34 deg. F)			
Engine Radiator	8.5 fins per in.			
Powertrain				
Transmission	Automatic, dual-path, hydrostatic (HST) drive; load-sensing feature automatically adjusts speed and power to match changing load conditions; each individually controlled track is powered by a variable-displacement piston pump and motor combination; ground-speed selection buttons on single-lever steering and direction control; independently selectable reverse speed ratios of 100%, 115%, or 130% of forward ground speed; decelerator pedal controls ground speed to stop			
System Relief Pressure	45 850 kPa (6,650 psi)			
Travel Speeds				
Forward and Reverse / Maximum (optional)	11.0 km/h (6.8 mph)			
Steering	Single-lever steering, speed, direction control, and counter-rotation; full power turns and infinitely variable track speeds provide unlimited maneuverability and optimum control; HST steering eliminates steering clutches and brakes			
Final Drives	Double-sealed, double-reduction planetary final drives mounted independent of track frame and dozer push frame for isolation from shock loads			
Total Ratio	41.2 to 1			
Drawbar Pull				
Maximum	547 kN (123,000 lb.)			
At 1.9 km/h (1.2 mph)	262 kN (59,000 lb.)			
At 3.2 km/h (2.0 mph)	154 kN (35,000 lb.)			
Brakes				
Service	HST (dynamic) braking stops machine when the direction/steering control lever is moved to neutral or the decelerator is depressed to the end of travel			
Parking	Exclusive safety feature engages wet, multiple-disc brakes whenever the engine stops, the decelerator is depressed to the end of travel, or the park-lock lever is placed in the start or neutral positions and motion is detected; machine cannot be driven with brake applied, reducing wear-out or need for adjustment; spring-applied hydraulic release			



950K SPECIFICATIONS



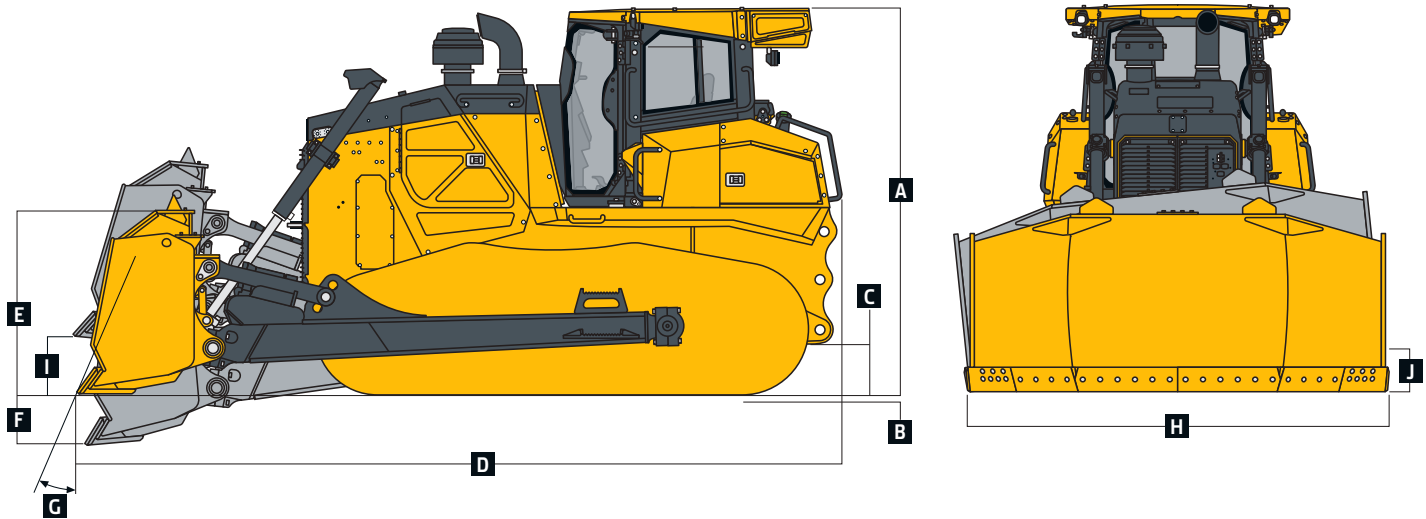
Hydraulics	950K STANDARD / LGP			
Type	Load-sense electrohydraulic (EH) system with variable-displacement piston pump			
Pump Displacement	100 cc			
System Relief Pressure	24 993 kPa (3,625 psi)			
Differential Pressure	1896 kPa (275 psi)			
Maximum Flow at Unloaded High Idle	200 L/m (53 gpm)			
Control	2-function EH T-bar joystick			
Electrical				
Voltage	24 volts			
Capacity				
Battery	950 CCA			
Reserve	190 min.			
Alternator Rating	130 amp			
Lights	Cylinder mounted (2), rear-mounted cab (2), roof-mounted forward facing (2), engine compartment (1), and rear reflectors (2)			
Undercarriage	STANDARD		LGP	
Blade Type	OSD Semi-U	OSD U	OSD Semi-U / OSD Straight	
Tracks	Track frame includes undercarriage design with sealed track-adjuster cavity, front and rear track guides, and sprocket guard; John Deere Dura-Trax™ features deep-heat-treated, sealed, and lubricated track links and through-hardened, sealed, and lubricated rollers for maximum wear resistance; sprockets are segmented			
Track Gauge, Standard	2006.6 mm (79 in.)	2006.6 mm (79 in.)	2260 mm (89 in.)	
Grouser Width (shoe width)	610 mm (24 in.)	610 mm (24 in.)	910 mm (36 in.)	
Chain	Sealed and lubricated	Sealed and lubricated	Sealed and lubricated	
Shoes, Each Side	43	43	45	
Track Rollers, Each Side	7	7	8	
Track Length on Ground	3214 mm (126.5 in.)	3214 mm (126.5 in.)	3431 mm (135.1 in.)	
Ground Contact Area	39 211 cm ² (6,078 sq. in.)	39 211 cm ² (6,078 sq. in.)	62 719 cm ² (9,721 sq. in.)	
Ground Pressure	80.7 kPa (11.7 psi)	81.4 kPa (11.8 psi)	53.1 kPa (7.7 psi)	
Track Pitch	215.9 mm (8.5 in.)	215.9 mm (8.5 in.)	215.9 mm (8.5 in.)	
Operator Station	STANDARD / LGP			
ROPS (ISO 3471 – 2008) and FOPS (ISO 3449 – 2005)				
Serviceability				
Refill Capacities				
Fuel Tank with Lockable Cap	505.5 L (133.5 gal.)			
Cooling System with Recovery Tank	57 L (15 gal.)			
Engine Oil with Filter	25 L (6.6 gal.)			
Reservoir with Filter (oil volume of tank only)				
Transmission	149 L (39.44 gal.)			
Hydraulic	87 L (23 gal.)			
Operating Weights	STANDARD		LGP	
Blade Type	OSD Semi-U	OSD U	OSD Semi-U	OSD Straight
<i>Base Weight (with standard equipment, blade, rollover protective structures [ROPS], full fuel tank, and 79-kg (175 lb.) operator)</i>				
With 610-mm (24 in.) Track Shoes	29 606 kg (65,300 lb.)	29 941 kg (66,000 lb.)	—	—
With 910-mm (36 in.) Track Shoes	—	—	31 431 kg (69,300 lb.)	31 336 kg (69,100 lb.)

950K

Operating Weights (continued)	950K STANDARD		950K LGP	
Blade Type	OSD Semi-U	OSD U	OSD Semi-U	OSD Straight
Optional Components				
Front and Door Screens	63 kg (139 lb.)	63 kg (139 lb.)	63 kg (139 lb.)	63 kg (139 lb.)
Rear Screen	36 kg (80 lb.)	36 kg (80 lb.)	36 kg (80 lb.)	36 kg (80 lb.)
Side Screens	37 kg (82 lb.)	37 kg (82 lb.)	37 kg (82 lb.)	37 kg (82 lb.)
Rear Counterweight	1113 kg (2,454 lb.)	1113 kg (2,454 lb.)	1113 kg (2,454 lb.)	1113 kg (2,454 lb.)
Retrieval Hitch (standard drawbar on counterweight)	68 kg (150 lb.)	68 kg (150 lb.)	68 kg (150 lb.)	68 kg (150 lb.)
Winch (included 3-roller fairlead)	1,361 kg (3,000 lb.)	1,361 kg (3,000 lb.)	1,361 kg (3,000 lb.)	1,361 kg (3,000 lb.)
Mounting Plate	795 kg (1,753 lb.)	795 kg (1,753 lb.)	795 kg (1,753 lb.)	795 kg (1,753 lb.)
Blade Rock Rack and Wear Plate	527 kg (1,162 lb.)	579 kg (1,277 lb.)	—	—
Blade Push Plate	286 kg (631 lb.)	—	—	—
HVAC-Powered Precleaner	20 kg (44 lb.)	20 kg (44 lb.)	20 kg (44 lb.)	20 kg (44 lb.)
Track Shoes				
610 mm (24 in.)				
Extreme Duty	In base*	In base*	—	—
Trapezoidal	-125 kg (-276 lb.)	-125 kg (-276 lb.)	—	—
660 mm (26 in.)				
Extreme Duty	206 kg (454 lb.)	206 kg (454 lb.)	—	—
Trapezoidal	79 kg (174 lb.)	79 kg (174 lb.)	—	—
760 mm (30 in.)				
Moderate Duty	—	—	-520 kg (-1,147 lb.)	-520 kg (-1,147 lb.)
Trapezoidal	—	—	-624 kg (-1,376 lb.)	-624 kg (-1,376 lb.)
910 mm (36 in.)				
Moderate Duty	—	—	In base*	In base*
Trapezoidal	—	—	-106 kg (-234 lb.)	-106 kg (-234 lb.)

*Included in SAE operating weight.

Machine Dimensions

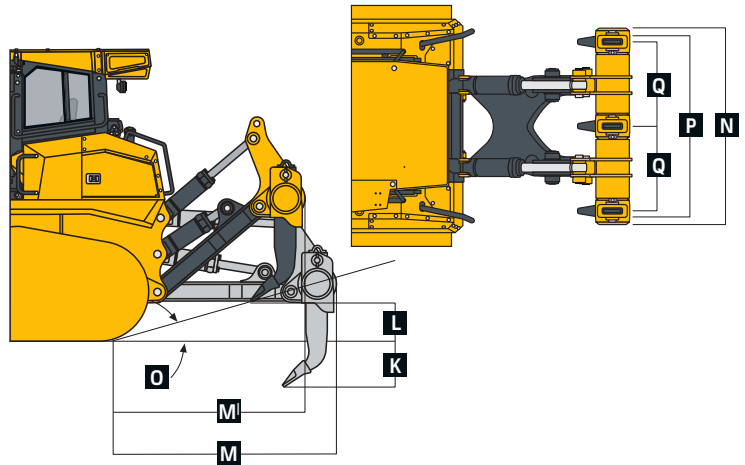


Machine Dimensions <i>(continued)</i>	950K STANDARD		950K LGP	
Blade Type	OSD Semi-U	OSD U	OSD Semi-U	OSD Straight
A Overall Height to Roof	3427 mm (11 ft. 3 in.)	3427 mm (11 ft. 3 in.)	3427 mm (11 ft. 3 in.)	3427 mm (11 ft. 3 in.)
Overall Height with Limb Risers (including grousers)	3560 mm (11 ft. 8 in.)	3560 mm (11 ft. 8 in.)	3560 mm (11 ft. 8 in.)	3560 mm (11 ft. 8 in.)
B Tread Depth with Single-Bar Grouser (extreme duty or trapezoidal)	71.4 mm (2.8 in.)	71.4 mm (2.8 in.)	71.4 mm (2.8 in.)	71.4 mm (2.8 in.)
C Ground Clearance in Dirt (includes grouser height)	312 mm (12.3 in.)	312 mm (12.3 in.)	312 mm (12.3 in.)	312 mm (12.3 in.)
D Overall Length with Blade	6202 mm (20 ft. 4 in.)	6450 mm (21 ft. 2 in.)	6670 mm (21 ft. 10 in.)	6500 mm (21 ft. 4 in.)
With Blade and Ripper	7850 mm (25 ft. 9 in.)	8098 mm (26 ft. 7 in.)	8347 mm (27 ft. 5 in.)	8177 mm (26 ft. 10 in.)
Without Ripper and Blade	4950 mm (16 ft. 3 in.)	4950 mm (16 ft. 3 in.)	4950 mm (16 ft. 3 in.)	4950 mm (16 ft. 3 in.)
With Ripper (no blade)	6556 mm (21 ft. 6 in.)	6556 mm (21 ft. 6 in.)	6556 mm (21 ft. 6 in.)	6556 mm (21 ft. 6 in.)
With Winch and Fairlead Rollers	7263 mm (23 ft. 10 in.)	7511 mm (24 ft. 8 in.)	7731 mm (25 ft. 4 in.)	7561 mm (24 ft. 10 in.)
E Blade Lift Height	1033 mm (3 ft. 5 in.)	1033 mm (3 ft. 5 in.)	1332 mm (4 ft. 4 in.)	1332 mm (4 ft. 4 in.)
F Blade Digging Depth	778 mm (31 in.)	778 mm (31 in.)	664 mm (26 in.)	664 mm (26 in.)
G Blade Cutting-Edge Angle				
Standard	50.3 to 57.5 deg.	50.3 to 57.5 deg.	50.3 to 57.5 deg.	53.0 to 60.0 deg.
Power Pitch	44.4 to 63.4 deg.	44.4 to 63.4 deg.	44.4 to 63.4 deg.	47.0 to 60.0 deg.
H Blade Width	3911 mm (12 ft. 10 in.)*	3886 mm (12 ft. 9 in.)*	4572 mm (15 ft. 0 in.)*	4509 mm (14 ft. 10 in.)†
I Blade Height	1524 mm (5 ft. 0 in.)	1580 mm (5 ft. 2 in.)	1524 mm (5 ft. 0 in.)	1524 mm (5 ft. 0 in.)
SAE Capacity	7.2 m ³ (9.4 cu. yd.)	8.6 m ³ (11.2 cu. yd.)	8.5 m ³ (11.1 cu. yd.)	—
Blade Weight	2121 kg (4,676 lb.)	2452 kg (5,406 lb.)	2396 kg (5,282 lb.)	—
Assembly Weight (without blade)				
Push Beam	2049 kg (4,517 lb.)	2049 kg (4,517 lb.)	2352 kg (5,185 lb.)	—
C-Frame/Push Beam	—	—	—	2352 kg (5,185 lb.)
Blade Angle	—	—	—	—
J Blade Tilt	800 mm (31 in.)	800 mm (31 in.)	909 mm (3 ft. 0 in.)	909 mm (3 ft. 0 in.) [§]
Width Over Track (no trunions)	2616 mm (8 ft. 7 in.)	2616 mm (8 ft. 7 in.)	3175 mm (10 ft. 5 in.)	3175 mm (10 ft. 5 in.)
Width Over Trunions	3231 mm (10 ft. 7 in.)	3231 mm (10 ft. 7 in.)	3565 mm (11 ft. 8 in.)	3565 mm (11 ft. 8 in.)

*Including cast-end bits. / †Including straight-end bits. / §Uses tilt jack.

Rear Ripper STANDARD / LGP

Multi-shank (3) parallelogram ripper with hydraulic pitch adjustment	
Weight	2669 kg (5,884 lb.)
K Maximum Penetration	650 mm (26 in.)
L Maximum Clearance Under Tip	752 mm (30 in.)
M Added Length, Lowered (transport) Position	2201 mm (7 ft. 3 in.)
M^I Added Length, Raised Position	1883 mm (6 ft. 2 in.)
N Overall Beam Width	2162 mm (7 ft. 1 in.)
O Slope Angle (full raise)	32.4 deg.
P Ripping Width	2052 mm (6 ft. 9 in.)
Q Distance Between Shanks	940 mm (3 ft. 1 in.)



Additional equipment

Key: ● Standard ▲ Optional or special

See your John Deere dealer for further information.

950K Engine

- Meets EU Stage II emissions
- John Deere PowerTech™ Plus 6090 9.0L engine
- Wet-sleeve cylinder liners
- Eco mode
- Exhaust stack, black
- ▲ Exhaust stack, chrome
- Electronic control with automatic engine protection
- Turbocharged and air-to-air aftercooled
- Dual-element dry canister with external rotary ejector precleaner
- Programmable auto engine shutdown
- Automatic turbo cool-down timer
- ▲ Severe-duty fuel lines and fittings
- ▲ Engine coolant heater, 120 volt
- 130-amp alternator

Cooling

- Engine coolant rated -37 deg. C (-34 deg. F)
- Automatic, programmable reversing fan
- Engine radiator, 8.5 fins per in.

Powertrain

- Dual-path hydrostatic (HST) transmission
- Selectable reverse-speed ratios
- Operator-selectable decelerator function (hydrostats and engine or hydrostats only)
- Single-lever steering with counter-rotate function
- Full power turns with infinitely variable track speed
- HST (dynamic) service brakes
- Wet, multi-disc parking brake

Hydraulics

- Load-sense electrohydraulic (EH) system with variable-displacement piston pump
- ▲ 2-spool EH control valve for outside dozer (OSD)
- ▲ 3-spool EH control valve for OSD with single auxiliary

950K Hydraulics (continued)

- ▲ 4-spool EH control valve for OSD with dual auxiliary
- Hydrau™ All-Season Hydraulic Oil, -25 deg. C to 50 deg. C (-13 deg. F to 122 deg. F)
- ▲ Hydrau™ XR Hydraulic Oil, -40 deg. C to 40 deg. C (-40 deg. F to 104 deg. F)
- ▲ Power pitch for OSD
- ▲ Hydraulic-winch-ready kit

STD LGP Undercarriage

- ● Heavy-duty undercarriage design
- ● Sealed track adjuster cavity
- Standard track OSD frame, 2180-mm (86 in.) track gauge
- Extreme-duty shoes, 610 mm (24 in.)
- ▲ Extreme-duty shoes, trapezoidal, 610 mm (24 in.)
- ▲ Extreme-duty shoes, 660 mm (26 in.)
- ▲ Extreme-duty shoes, trapezoidal, 660 mm (26 in.)
- ▲ Moderate-duty shoes, 760 mm (30 in.)
- ▲ Moderate-duty shoes, trapezoidal, 760 mm (30 in.)
- Moderate-duty shoes, 910 mm (36 in.)
- ▲ Moderate-service shoes, trapezoidal, 910 mm (36 in.)
- ▲ ▲ Full-length rock guards

Operator's Station

- Enclosed cab with air conditioner/heater
- Retractable seat belt, 76 mm (3 in.) (conforms to SAE J386)
- Air-suspension cloth seat
- ▲ Air-suspension heated deluxe seat
- AM/FM radio
- ▲ XM Satellite Radio™
- ▲ HVAC-powered precleaner
- Tilting cab
- 178-mm (7 in.) color, multi-language Primary Display Unit (PDU)
- Backup alarm

950K Operator's Station (continued)

- 12-volt accessory plug
- Keyless start

Overall Vehicle

- Environmental drain package
- Fluid-sample valves
- JDLink™ Ultimate wireless machine communication system (available in specific countries; see your local dealer for details)
- ▲ Quick service ports (HST, hydraulic, and engine oil, and coolant)
- ▲ Fast-fuel system
- Halogen lights (6 total): cylinder mounted (2); rear cab mounted (2); and roof mounted, front facing (2)
- Reflectors, rear facing (2)
- ▲ LED work lights (6)
- ▲ Deluxe LED work lights (10)
- ▲ Beacon light
- Grade-control-ready EH hydraulics
- ▲ Topcon-ready interface package
- ▲ Trimble-ready interface package
- ▲ Leica-ready interface package

Attachments

- ▲ U Blade, 3886 mm (153 in.)
- ▲ Semi-U Blade, 3911 mm (154 in.)
- ▲ Mechanical-Angle Blade, 5207 mm (205 in.)
- ▲ U Blade, 3886 mm (153 in.), with rock rack and wear plate
- ▲ Semi-U Blade, 3911 mm (154 in.), with rock rack and wear plate
- ▲ Semi-U Blade, 3911 mm (154 in.), with push plate
- Standard end bits and cutting edges
- ▲ Heavy-duty end bits
- ▲ Heavy-duty cutting edges
- ▲ Cast end bits
- ▲ Ripper, multi-shank
- ▲ Rear counterweight, 1113 kg (2,454 lb.)
- ▲ Retrieval hitch
- ▲ LGP Semi-U blade, 4572 mm (180 in.)
- ▲ LGP Straight blade, 4470 mm (176 in.)

Actual machine configuration may differ from image. Not all models available in all countries.

Net engine power is with standard equipment including air cleaner, exhaust system, alternator, and cooling fan at test conditions specified per ISO9249. No derating is required up to 3050-m (10,000 ft.) altitude. Specifications and design subject to change without notice. Wherever applicable, specifications are in accordance with SAE standards. Except where otherwise noted, these specifications are based on a unit with standard equipment, modular ROPS/cab, full fuel tank, and 79-kg (175 lb.) operator.

