

859M TRACKED FELLER BUNCHER



JOHN DEERE



A yellow tracked feller buncher is shown in a forest setting. The machine is positioned on the right side of the frame, with its boom and cutting head visible. The background consists of numerous tall, thin trees, some with bare branches and others with green foliage. The lighting is bright, suggesting a sunny day. The machine's tracks and undercarriage are visible at the bottom right.

859M TRACKED FELLER BUNCHER

BUILT FOR WORK IN THE REAL WORLD.

Keeping up in the woods and at the landing can be some of the hardest work you do. So when you asked for job-proven mid-size might to help get things done, we took it from there. The result is a tracked feller buncher equipped with standard Smooth Boom Control (SBC) for exceptional command. A long and wide undercarriage for sturdy stability. Powerful swing performance. Standard Rapid Cycle System (RCS) for optimized operation. Uncompromising cab comfort and visibility. Plus a range of available options to suit your application. It all adds up to a purpose-built machine designed to work for you.

Smooth operation

Smooth Boom Control (SBC) allows machine movements to be controlled more effectively, delivering a smoother operating experience and less wear and tear on the machine over time.

Sure-footed stability

Generous tractive effort enables reliable negotiation of difficult or steep terrain, deep snow, and swamps. Long and wide undercarriage combined with our industry-leading leveling system maximizes stability on steep slopes and other challenging terrain conditions.

Expansive visibility

Floor-to-ceiling front window, large side windows, skylight, and optional floor window (standard with the undercarriage-leveling mechanism) significantly expand the view of the harvesting area and the work at hand.

Comfortable control

Ergonomically designed controls and seat with dual-density seat pan and contour plus updated armrest and suspension boost overall operator comfort. Optional heated-ventilated seat (HVS) and, where available, updated premium Bluetooth® radio with XM Satellite Radio ready from the factory take comfort to the next level.



SURE-FOOTED STABILITY **IN ALL TERRAIN**

Level the playing field

Optional Advanced Slope Management System measures the actual ground-slope angle the machine is working on and actively displays it on the in-cab monitor. Including our Return-to-Level feature that requires only a single touch to return the rotating upper to a level position (when possible), the system boosts operator confidence to efficiently navigate tough steep-slope conditions.

Dedicated to your work

Standard Dedicated Travel System works with the powerful 246-kW (330 hp) engine to further improve

machine performance and efficiency, especially in higher multifunctioning applications.

Smart debris management

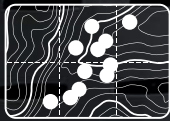
Designed to keep your workspace free and clear, the productivity-boosting debris-management system is integrated into the hood and left-side guarding to prevent materials and debris from entering the cooling package. External screening, sealed cooler compartment, and standard variable-speed reversing fan provide protection as needed.

859M TRACKED FELLER BUNCHER

PUT TECHNOLOGY TO WORK IN THE WOODS AND AT THE OFFICE.

Coordinate your operation and your team's productivity from wherever your work takes you with John Deere Precision Forestry and our core technology solutions.





JOHN DEERE PRECISION FORESTRY

TOOLS ENABLE PRODUCTION
PLANNING & TRACKING

FEATURES

Core intelligence

Your John Deere Forestry machine arrives from the factory equipped with a powerful set of technologies and capabilities already built in. Each plays an important role in managing the health and performance of your overall equipment fleet:

- **JDLink™ connectivity and the John Deere Operations Center™** let you track your equipment, see which machines are working, and know if they're being utilized properly and at maximum productivity and efficiency.
- **John Deere Connected Support™** leverages a suite of dealer and factory tools designed to deliver increased uptime and productivity, and lower daily operating costs.
- **Remote Diagnostics and Programming Capability** within John Deere Connected Support helps your dealer warn you of any issue with your machine — often before you know of the problem yourself — and initiate solutions without charging you for a technician's visit to your jobsite.
- Our advanced dual approach to **Machine Health** combines the expertise of the technology specialists at our dealerships with the data specialists at our central Machine Health Monitoring Center (MHMC). As part of John Deere Connected Support, information from thousands of connected machines flows through the MHMC, enabling our specialists to identify trends and develop new and improved preventative-maintenance and repair protocols.

Precision Forestry

Take the guesswork out of planning, implementing, and monitoring your logging operation. The tools of our production-planning and -tracking system expand on the core technology features that come standard in every John Deere Forestry machine to unleash a powerful new array of possibilities:

- **TimberMatic™ Maps** is an innovative onboard software solution that helps you reimagine your jobsites. Real-time production views, optimized routes, and a shared cloud connection make it easier than ever before to take your forestry operation to the next level.
- **TimberManager™** is a web-based solution for PCs, tablets, and mobile phones that allows you to follow jobsite progress. Combined with TimberMatic Maps, this software provides complete visibility of your operation — from land harvested to specific machines — so you can streamline communication, analyze tasks, and increase productivity:
 - **Remote Monitoring** keeps tabs on the health and performance of your fleet from wherever you are.
 - **Precise Progress Tracking** lets you set goals for your team to meet throughout the day.
 - **Live Production View** displays progress including tree count, area harvested, and estimated tonnage.
 - **Simplified Mapping** of machine data and GPS-based location tracking shows precise stem and log counts.
 - **Real-Time Updates** let you adjust course or eliminate tasks if needed to maintain steady workflow.
 - **Fleet Optimization** goes beyond machine management to help improve the efficiency of your business.

Robust flexibility

Available in both limited and high rotation, the **FS22B** and **FR22B** are our most versatile felling heads. They're robust enough to handle larger, mature trees, with the tree-handling performance to also efficiently accumulate mid-sized timber. The 859M Tracked Feller Buncher is most typically equipped with the FR22B felling head.

FIND YOUR FELLING HEAD AND CUT TO THE BOTTOM LINE

Designed to run on swing-to-tree tracked feller bunchers like the 859M, these flexible felling heads can more than capably help you take it on.

FR22B



FS22B



IT
LINE.

FELLING HEADS

Well within your reach

From small stems to big timber, softwood to hardwood, level or sloped ground, John Deere has a disk saw felling head that's designed for your job.

Cut and accumulate

The **FR21B*** is a lighter-weight, high-rotation felling head designed for both select- and final-harvest applications. With excellent cut and accumulation capacity, this felling head has been optimized for small to mid-sized timber.

Powerful productivity

Its 686-millimeter (27 inch) single-cut capacity makes the **FR27†** our largest-cut-capacity felling head. Over 16-percent higher capacity than the FR24B, a massive 0.70-square-meter (7.5 square foot) accumulation area efficiently handles a single large tree or multiple smaller stems. With long harvesting arms, hardened-steel saw housing, and large side-chip exhaust chute, the FR27 is productive, durable, and maintenance friendly.

Proven reliability

Delivering efficient, multi-stem high-accumulation performance with a huge pocket and tall horn, and available in both limited and high-rotation wrist, **FS50*** and **FR50*** felling heads are best suited for first and second thinnings as well as high-production plantation harvests.

*With standard boom only. / †With optional power boom only.

Choose the correct felling head for your 859M Tracked Feller Buncher.



6–14"

Plantation
Thinning
Select Cut
High
Accumulation
Short–Mid-
Height Timber

FS50 / FR50



10–18"

Select Cut
Final Felling
Mid–High
Accumulation
Mid-Height
Timber

FR21B



14–22"

Select Cut
Final Felling
Mid Accumulation
Mid-Height–
Tall Timber

FS22B / FR22B



18–27"

Final Felling
Swamp Logging
(Swell)
Mid–Low
Accumulation
Tall Timber

FR27



FS50



FR21B



FR21B



FR27

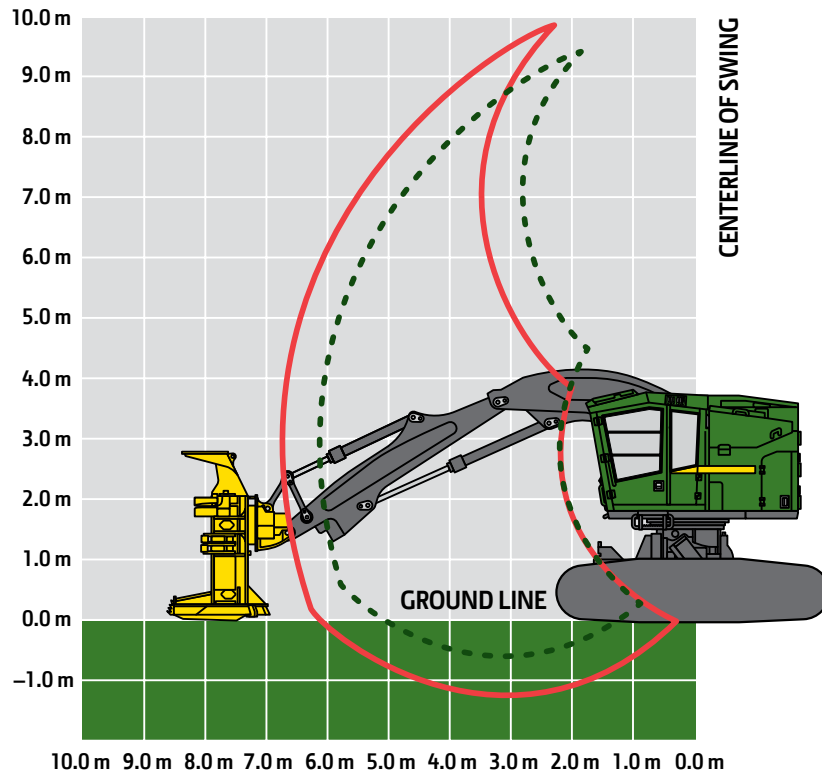
859M TRACKED FELLER BUNCHER SPECIFICATIONS

859M		
Engine	859M	
Manufacturer and Model	John Deere PowerTech™ PSS 9.0L	John Deere PowerTech™ Plus 6090H
Non-Road Emission Standard	EPA Final Tier 4/EU Stage V	EPA Tier 3/EU Stage IIIA
Cylinders	6	6
Displacement	9.0 L (549 cu. in.)	9.0 L (549 cu. in.)
Peak Power at 1,900 rpm	246 kW (330 hp)	246 kW (330 hp)
Net Peak Torque at 1,500 rpm	1392 Nm (1,027 lb.-ft.)	1392 Nm (1,027 lb.-ft.)
Cooling		
Fan Type	Suction type, hydraulically driven, variable speed, reversing	
Hydraulics		
Closed center, load sense, pressure compensated		
Dedicated Travel System		
Main Pump	Variable-displacement axial piston	
Maximum Rated Flow	494 L/min. (131 gpm)	
Travel Pump	Dedicated variable-displacement axial piston	
Maximum Rated Flow (x2)	190 L/min. (50 gpm)	
Continuous Saw Pump	Dedicated variable-displacement axial piston	
Maximum Rated Flow	135 L/min. (36 gpm)	
Attachment Pump	Dedicated variable-displacement axial piston	
Maximum Rated Flow	135 L/min. (36 gpm)	
Oil Filtration	2 main return filters, 10-micron return with bypass, 1 case-drain strainer, 25 micron	
Electrical		
	EPA Final Tier 4/EU Stage V	EPA Tier 3/EU Stage IIIA
Voltage	24 volt	24 volt
Number of Batteries	2 x 12 volt	2 x 12 volt
Alternator Rating	150 amp	100-amp standard, 150-amp optional
Work Lights	LED (13)	LED (13)
Service Lights	LED (2)	LED (2)
Undercarriage		
Integral track guides, thick high-abrasion-resistant material, ramp angles, hydraulic track adjustment		
Size	U7L Extreme Duty (EXD)	
Track Chain	215.9 mm (8.5 in.)	
Number of Track Links (per side)	47	
Lower Rollers (per side)	10	
Carrier Slides/Rollers (per side)	2	
Travel Performance		
Travel Speed, Forward and Reverse		
High	4.1 km/h (2.5 mph)	
Low	1.8 km/h (1.1 mph)	
Tractive Effort	357 kN (80,257 lbf)	
Rotating Upper		
Swing System		
Swing Speed (maximum)	6.8 rpm	
Swing Torque	94 740 Nm (69,880 lb.-ft.)	
Swing Brake	Sealed wet multi-disc, manually applied/released	
Serviceability		
Refill Capacities	EPA Final Tier 4/EU Stage V	EPA Tier 3/EU Stage IIIA
Fuel Tank	870 L (228.9 gal.)	870 L (228.9 gal.)
Diesel Exhaust Fluid (DEF)	34 L (8.9 gal.)	N/A

While general information, pictures, and descriptions are provided, some illustrations and text may include product options and accessories NOT AVAILABLE in all regions, and in some countries products and accessories may require modifications or additions to ensure compliance with the local regulations of those countries.

Ground Pressure (SAE J1309)		859M	
Includes standard boom with Rapid Cycle System (RCS), standard counterweight, half-full fuel tank, and all fluids, less attachment			
Undercarriage	EPA Final Tier 4/EU Stage V U7L EXD	EPA Tier 3/EU Stage IIIA U7L EXD	
Single Grouser			
610 mm (24 in.)	71.9 kPa (10.4 psi)	71.2 kPa (10.3 psi)	
711 mm (28 in.)	62.3 kPa (9.0 psi)	61.7 kPa (8.9 psi)	
Operating Weight			
Includes standard boom with RCS, standard counterweight, 610-mm (24 in.) single-grouser tracks, half-full fuel tank, and all fluids, less attachment			
Undercarriage	EPA Final Tier 4/EU Stage V U7L EXD	EPA Tier 3/EU Stage IIIA U7L EXD	
Approximate Weight — Base Machine	37 410 kg (82,490 lb.)	37 050 kg (81,700 lb.)	
Boom Performance			
Standard Boom With RCS			
Maximum Reach (to tip of saw blade)	8.49 m (27 ft. 10 in.)		
Minimum Reach (to tip of saw blade)	3.83 m (12 ft. 7 in.)		
Cutting Swath	4.66 m (15 ft. 3 in.)		
Lift Capacity, Bare Pin at Full Reach	5540 kg (12,220 lb.)		
Lift Capacity, Bare Pin at 6.10 m (20 ft.)	6860 kg (15,130 lb.)		
Optional Power Boom With RCS			
Maximum Reach (to tip of saw blade)	7.88 m (25 ft. 10 in.)		
Minimum Reach (to tip of saw blade)	3.92 m (12 ft. 10 in.)		
Cutting Swath	3.96 m (13 ft. 0 in.)		
Lift Capacity, Bare Pin at 6.10 m (20 ft.) at Full Reach	6670 kg (14,710 lb.)		

859M Tracked Feller Buncher



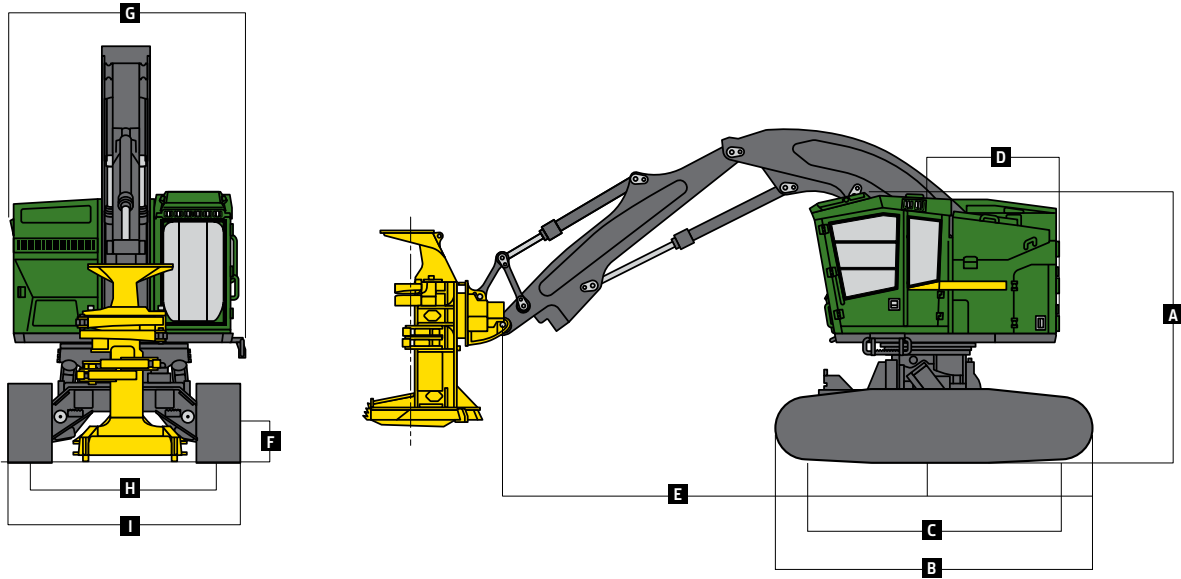
While general information, pictures, and descriptions are provided, some illustrations and text may include product options and accessories NOT AVAILABLE in all regions, and in some countries products and accessories may require modifications or additions to ensure compliance with the local regulations of those countries.

859M TRACKED FELLER BUNCHER SPECIFICATIONS (continued)

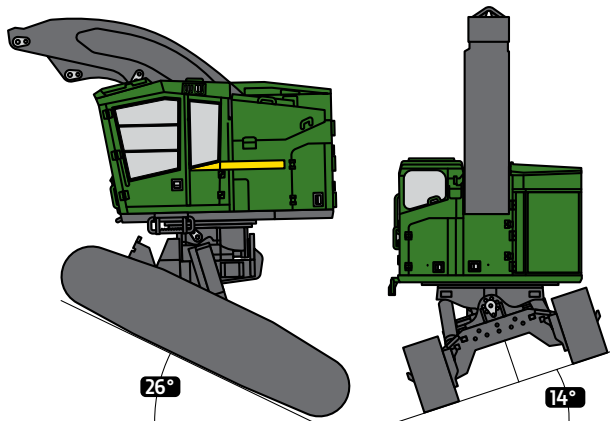
Attachment Information		859M				
Attachment	FR21B*	FS22B	FR22B	FR27†	FS50*	FR50*
Maximum Cutting Capacity	545 mm (21.5 in.)	559 mm (22.0 in.)	559 mm (22.0 in.)	686 mm (27.0 in.)	508 mm (20.0 in.)	508 mm (20.0 in.)
Maximum Accumulation Capacity	0.46 m ² (5.0 sq. ft.)	0.48 m ² (5.2 sq. ft.)	0.48 m ² (5.2 sq. ft.)	0.70 m ² (7.5 sq. ft.)	0.64 m ² (6.9 sq. ft.)	0.64 m ² (6.9 sq. ft.)
Opening at Front of Housing	1180 mm (46.5 in.)	1280 mm (50.4 in.)	1280 mm (50.4 in.)	1382 mm (54.4 in.)	870 mm (34.0 in.)	870 mm (34.3 in.)
Blade Diameter	1372 mm (54.0 in.)	1422 mm (56.0 in.)	1422 mm (56.0 in.)	1676 mm (66.0 in.)	1346 mm (53.0 in.)	1346 mm (53.0 in.)
Number of Teeth	18	18	18	18	18	18
Saw rpm	1,150 rpm	1,150 rpm	1,150 rpm	1,000 rpm	1,250 rpm	1,225 rpm
Wrist Rotation	302 deg.	30 deg.	312 deg.	300 deg.	30 deg.	312 deg.
Width at Saw Housing	1550 mm (61.0 in.)	1620 mm (63.8 in.)	1620 mm (63.8 in.)	1908 mm (75.1 in.)	1660 mm (65.0 in.)	1510 mm (59.4 in.)
Height	2820 mm (111.0 in.)	3068 mm (120.8 in.)	3068 mm (120.8 in.)	3094 mm (121.8 in.)	2850 mm (112.0 in.)	2846 mm (112.0 in.)
Weight (including adapter and wrist)	3140 kg (6,920 lb.)	3550 kg (7,830 lb.)	3840 kg (8,470 lb.)	4220 kg (9,310 lb.)	3370 kg (7,430 lb.)	3666 kg (8,082 lb.)
*With standard boom only. / †With optional power boom only.						
Machine Dimensions		U7L EXD				
Standard Undercarriage		U7L EXD				
A	Overall Height With Standard Boom					
	Top of Cab With Flat Skylight	3.92 m (12 ft. 10 in.)				
	Top of Cab With Peaked Skylight	4.13 m (13 ft. 7 in.)				
	Top of Boom, Extended, Attachment Vertical	4.15 m (13 ft. 7 in.)				
B	Overall Track Length	4.90 m (16 ft. 1 in.)				
C	Track Length (idler to sprocket center)	3.83 m (12 ft. 7 in.)				
D	Tail Swing (from swing center)					
	Standard Counterweight	1.94 m (6 ft. 4 in.)				
	Heavy Counterweight	2.25 m (7 ft. 4 in.)				
E	Boom Reach (to attachment pin)					
	Standard Boom					
	Maximum	6.71 m (22 ft. 0 in.)				
	Minimum	2.05 m (6 ft. 9 in.)				
	Cutting Swath	4.66 m (15 ft. 3 in.)				
	Optional Power Boom					
	Maximum	6.10 m (20 ft. 0 in.)				
	Minimum	2.14 m (7 ft. 0 in.)				
	Cutting Swath	3.96 m (13 ft. 0 in.)				
F	Ground Clearance Single Grouser	746 mm (29 in.)				
G	Upperstructure Width					
	Standard	3.15 m (10 ft. 4 in.)				
	With Optional Walkway	3.36 m (11 ft. 0 in.)				
H	Track Gauge	2.72 m (8 ft. 11 in.)				
I	Width Over Tracks					
	610-mm (24 in.) Track Shoes	3.33 m (10 ft. 11 in.)				
	711-mm (28 in.) Track Shoes	3.43 m (11 ft. 3 in.)				

While general information, pictures, and descriptions are provided, some illustrations and text may include product options and accessories NOT AVAILABLE in all regions, and in some countries products and accessories may require modifications or additions to ensure compliance with the local regulations of those countries.

859M Tracked Feller Buncher



859M Leveling



859M Undercarriage-Leveling Mechanism

Forward	26 deg.
Side to Side	14 deg.
Rearward	7 deg.



MTFB859U (24-09)

Contact us to learn more.

JohnDeere.com/FellerBunchers
JohnDeere.ca/FellerBunchers



JOHN DEERE