

959MH TRACKED HARVESTER



JOHN DEERE



OUT HERE, ORDINARY DOESN'T CUT IT.

Work can be demanding in your neck of the woods. That's why we rely on real-world insights from customers like you to tell us what you need to succeed. A long and wide undercarriage for singular stability. Standard and long-reach boom options with choice of multiple attachments to match the application. Dual-swing drive for productivity-boosting power. Expansive visibility. A large fuel tank to keep running — and producing — longer. And a heavy-duty John Deere PowerTech™ Plus 9.0L diesel engine that delivers low total fluid consumption and high dependability. This machine was built to tackle your most difficult tasks.

Winning an uphill battle

For applications requiring extended harvesting reach with less machine movement, optional 10.34-meter long boom reaches almost 34 feet either uphill or down. Adding any of a variety of available attachments further increases boom versatility.

Through-nose plumbing option

Optional through-nose plumbing routes hoses up and out of harm's way to extend their wear life, increasing uptime and reducing operating costs.

Get a handle on it

Optional undercarriage-mounted toolbox provides convenient storage for tools, saw teeth, extra saw bars, and other spare parts, eliminating extra trips back to the service truck.

Simplified service

Convenient access to service components helps simplify daily checks and preventative-maintenance tasks, so they get done on schedule, minimizing costly repairs down the road.

Comfortable control

Fully adjustable armrests include mounted keypads, for fingertip control of all machine functions. Standard air-ride suspension seat in the climate-controlled cab helps provide exceptional daylong comfort. New heated-ventilated seat (HVS) is an optional amenity.

Level the playing field

An available option on the 959MH Tracked Harvester, our industry-leading slope-monitoring system measures the actual ground-slope angle the machine is working on and displays it on the in-cab monitor, for more confident operation in tough steep-slope conditions and potentially greater overall efficiency.

Sure-footed stability

Reliable tractive effort enables maneuverable negotiation of difficult or steep terrain, deep snow, and swamps. Long and wide undercarriage combined with our industry-leading leveling system maximizes stability on steep slopes and other challenging terrain conditions.



TAKE CONTROL WITH IBC

Boost productivity from the get-go

Optional Intelligent Boom Control (IBC) smoothes boom operation, making it more precise and efficient.

Nice and precise

IBC improves the precision of attachment positioning, especially at extended reaches. Joystick movements deliver consistently smooth boom speed, no matter how far the boom is extended.

Effortless control

With IBC, operators no longer need to control each independent boom function separately. Just control the attachment position, and IBC automatically guides the boom and cylinders accordingly. IBC also automatically controls swing speed based on the overall position of the attachment.

Choose how you work

IBC is easily configurable to user preference, so operators can adapt their motions to the application. The IBC control pattern that works best for each operator can also be selected, further enhancing personal ease of use. Individual user settings can be saved in up to eight separate profiles, to accommodate multiple skill and experience levels.



**IBC ENABLES *PRECISE*
BOOM MOVEMENTS**

959MH TRACKED HARVESTER



CAUTION
Avoid personal injury.
Do not use remote
controls to operate
machine. Always verify control
operation.

WARNING
This machine may be
operated in a
mode that may
increase the risk of
personal injury.
Falling debris is a
hazard and can cause
personal injury.
Stay clear of the
machine until the
engine has stopped.

WARNING
Do not use remote
controls to operate
machine. Always verify control
operation.

CAUTION
Do not use remote
controls to operate
machine. Always verify control
operation.

CAUTION
Do not use remote
controls to operate
machine. Always verify control
operation.

PUT TECHNOLOGY TO WORK IN THE WOODS AND AT THE OFFICE.

Coordinate your operation and your team's productivity from wherever your work takes you with John Deere Precision Forestry and our core technology solutions.

FEATURES

Core intelligence

Your John Deere Forestry machine arrives from the factory equipped with a powerful set of technologies and capabilities already built in. Each plays an important role in managing the health and performance of your overall equipment fleet:

- **JDLink connectivity** lets you track your equipment, see which machines are working, and know if they're being utilized properly and at maximum productivity and efficiency.
- Enabled through JDLink, **John Deere Connected Support™** leverages a suite of dealer and factory tools designed to deliver increased uptime and productivity, and lower daily operating costs.
- **Remote Diagnostics and Programming Capability** within John Deere Connected Support helps your dealer warn you of any issue with your machine — often before you know of the problem yourself — and initiate solutions without charging you for a technician's visit to your jobsite.
- Our advanced dual approach to **Machine Health** combines the expertise of the technology specialists at our dealerships with the data specialists at our central Machine Health Monitoring Center (MHMC). As part of John Deere Connected Support, information from thousands of connected machines flows through the MHMC, enabling our specialists to identify trends and develop new and improved preventative-maintenance and repair protocols.

Precision Forestry

Take the guesswork out of planning, implementing, and monitoring your logging operation. The tools of our production-planning and -tracking system expand on the core technology features that come standard in every John Deere Forestry machine to unleash a powerful new array of possibilities:

- **TimberMatic™ Maps** is an innovative onboard software solution that helps you reimagine your jobsites. Real-time production views, optimized routes, and shared wireless connections between machines make it easier than ever before to take your forestry operation to the next level.
- **TimberManager™** is a web-based solution for PCs, tablets, and mobile phones that allows you to follow jobsite progress. Combined with TimberMatic Maps, this software provides complete visibility of your operation — from land harvested to specific machines — so you can streamline communication, analyze tasks, and increase productivity:
 - **Remote Monitoring** keeps tabs on the health and performance of your fleet from wherever you are.
 - **Precise Progress Tracking** lets you set goals for your team to meet throughout the day.
 - **Live Production View** displays progress including tree count, area harvested, and estimated tonnage.
 - **Simplified Mapping** of machine data and GPS-based location tracking shows precise stem and log counts.
 - **Real-Time Updates** let you adjust course or eliminate tasks if needed to maintain steady workflow.
 - **Fleet Optimization** goes beyond machine management to help improve the efficiency of your business.

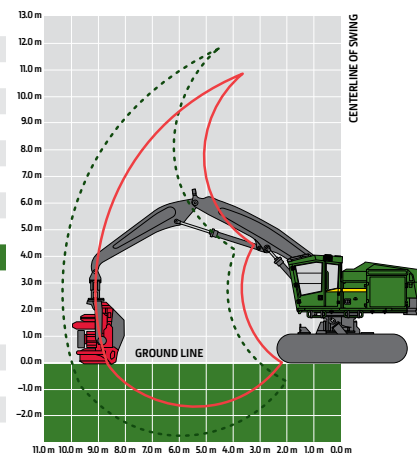


JDLINK™ CONNECTIVITY

NO ADDITIONAL COST
NO SUBSCRIPTIONS
NO RENEWAL DATES

959MH TRACKED HARVESTER SPECIFICATIONS

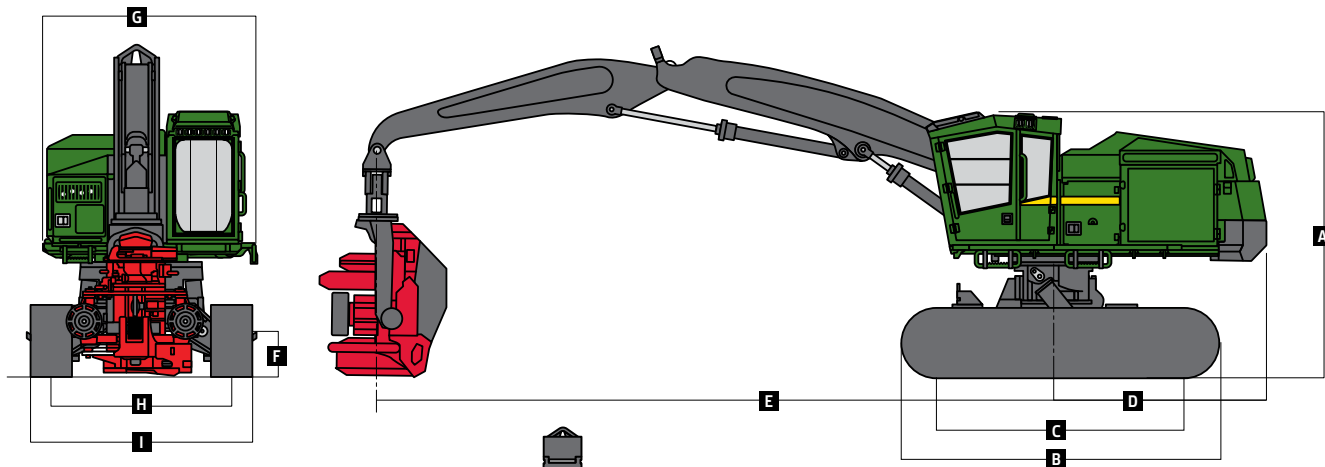
Engine		
Manufacturer and Model	John Deere PowerTech™ Plus 6090PSS	John Deere PowerTech Plus 6090H
Non-Road Emission Standard	EPA Final Tier 4/EU Stage V	EPA Tier 3/EU Stage IIIA / EPA Tier 2/EU Stage II
Displacement	9.0 L (549 cu. in.)	9.0 L (549 cu. in.)
Peak Power at 1,900 rpm	246 kW (330 hp)	246 kW (330 hp)
Net Peak Torque at 1,500 rpm	1392 Nm (1,027 lb.-ft.)	1527 Nm (1,126 lb.-ft.)
Cooling		
Fan Type	Suction type, hydraulically driven, variable speed, reversing	
Hydraulics		
Closed center, pressure compensated, load sense		
Main Pump	Variable-displacement axial piston	
Maximum Rated Flow	532 L/min. (141 gpm)	
Attachment Pump	Dedicated variable-displacement axial piston	
Maximum Rated Flow	209 L/min. (55 gpm)	
Oil Filtration	2 main return filters, 10-micron return with bypass, 1 case-drain strainer, 25 micron	
Electrical		
	<i>EPA Final Tier 4/EU Stage V</i>	<i>EPA Tier 3/EU Stage IIIA / EPA Tier 2/EU Stage II</i>
Voltage	24 volt	24 volt
Number of Batteries	2 x 12 volt	2 x 12 volt
Alternator Rating	200 amp	100-amp standard / 130-amp optional
Work Lights	LED (14)	LED (14)
Service Lights	LED (3)	LED (3)
Undercarriage		
Integral track guides, thick high-abrasion-resistant material, ramp angles, hydraulic track adjustment		
Track Size	U7L Extreme Duty (EXD)	
Track Chain	215.9 mm (8.5 in.)	
Number of Track Links (per side)	47	
Lower Rollers (per side)	10	
Carrier Slides / Rollers (per side)	2	
Travel Performance		
Travel Speed, Forward and Reverse		
High	3.6 km/h (2.2 mph)	
Low	1.7 km/h (1.0 mph)	
Tractive Effort	373 kN (83,880 lbf)	
Rotating Upper		
Swing System, Standard		
Swing Speed (maximum)	4.8 rpm	
Swing Torque	110 170 Nm (81,260 lb.-ft.)	
Swing Brake	Sealed wet multi-disc, manually applied/released	
Serviceability		
	<i>EPA Final Tier 4/EU Stage V</i>	<i>EPA Tier 3/EU Stage IIIA / EPA Tier 2/EU Stage II</i>
Fuel Tank	1080 L (285 gal.)	1080 L (285 gal.)
Diesel Exhaust Fluid (DEF) Tank	42 L (11 gal.)	N/A
Ground Pressure (SAE J1309)		
Includes standard equipment, half-full fuel tank, and all fluids, less attachment		
	<i>EPA Final Tier 4/EU Stage V</i>	<i>EPA Tier 3/EU Stage IIIA / EPA Tier 2/EU Stage II</i>
Undercarriage	U7L EXD	U7L EXD
Counterweight	Medium	Medium
Harvesting Boom (with thru-nose cradle)	10.34 m (33.9 ft.)	10.34 m (33.9 ft.)
Double Grouser		
610 mm (24 in.)	72.9 kPa (10.6 psi)	72.2 kPa (10.5 psi)
Single Grouser		
610 mm (24 in.)	72.6 kPa (10.5 psi)	71.9 kPa (10.4 psi)
711 mm (28 in.)	62.9 kPa (9.1 psi)	62.3 kPa (9.0 psi)
Operating Weight		
Includes standard equipment, 610-mm (24 in.) single-grouser tracks, flat skylight, half-full fuel tank, and all fluids, less attachment		
	<i>EPA Final Tier 4/EU Stage V</i>	<i>EPA Tier 3/EU Stage IIIA / EPA Tier 2/EU Stage II</i>
Undercarriage	U7L EXD	U7L EXD
Counterweight	Medium	Medium
Harvesting Boom (with thru-nose cradle)	10.34 m (33.9 ft.)	10.34 m (33.9 ft.)
Approximate Weight — Base Machine	37 770 kg (83,280 lb.)	37 410 kg (82,490 lb.)



While general information, pictures, and descriptions are provided, some illustrations and text may include product options and accessories NOT AVAILABLE in all regions, and in some countries products and accessories may require modifications or additions to ensure compliance with the local regulations of those countries.

Boom Performance		959MH			
9.12-m Boom (29.9 ft.) (5.44-m swath) With HTH624C		10.34-m (33.9 ft.) Boom (6.13-m swath) With HTH623C			
Lift Capacity, Bare Pin at Full Reach	6170 kg (13,600 lb.)	Lift Capacity, Bare Pin at Full Reach	4860 kg (10,720 lb.)		
Lift Capacity, Bare Pin at 7.6 m (25 ft.)	8220 kg (18,130 lb.)	Lift Capacity, Bare Pin at 9.1 m (30 ft.)	5800 kg (12,790 lb.)		
		Lift Capacity, Bare Pin at 7.6 m (25 ft.)	7300 kg (16,100 lb.)		
Attachment Information					
Attachment	HTH622B	HTH623C	HTH624C	HTH625C	
Maximum Cutting Capacity	750 mm (29.5 in.)	750 mm (29.5 in.)	810 mm (31.9 in.)	900 mm (35.4 in.)	
Maximum Delimiting Capacity	640 mm (25.2 in.)	700 mm (27.6 in.)	760 mm (29.9 in.)	810 mm (31.9 in.)	
Feeding Mechanism	3 rollers, fully synchronized hydraulic drive		3 rollers, fully synchronized hydraulic drive		
Dimensions					
Maximum Width (arms open)	1700 mm (66.9 in.)	2000 mm (78.7 in.)	2000 mm (78.7 in.)	2000 mm (78.7 in.)	
Height (including rotator)	2700 mm (106.3 in.)	3000 mm (118.1 in.)	3000 mm (118.1 in.)	3250 mm (128.0 in.)	
Weight (rotator and standard link)	2190 kg (4,830 lb.)	2870 kg (6,330 lb.)	3460 kg (7,630 lb.)	4270 kg (9,420 lb.)	
<i>See individual Harvesting Head brochure for more details.</i>					
Machine Dimensions					
Standard Undercarriage		U7L EXD		Standard Undercarriage (continued)	
U7L EXD		U7L EXD		U7L EXD	
A Overall Height With 9.12-m (29.9 ft.) Boom		E Boom Reach (to attachment pin) (continued)			
Top of Cab With Flat Skylight	4.03 m (13 ft. 3 in.)	10.34-m (33.9 ft.) Boom			
Top of Cab With Peaked Skylight	4.24 m (13 ft. 11 in.)	Maximum	10.34 m (33 ft. 11 in.)		
Top of Boom, Extended, Attachment Vertical	4.07 m (13 ft. 4 in.)	Minimum	4.21 m (13 ft. 10 in.)		
B Overall Track Length	4.90 m (16 ft. 1 in.)	Cutting Swath	6.13 m (20 ft. 1 in.)		
C Track Length (idler to sprocket center)	3.81 m (12 ft. 6 in.)	F Ground Clearance			
D Tail Swing (from swing center)	3.18 m (10 ft. 5 in.)	Single Grouser	770 mm (30 in.)		
E Boom Reach (to attachment pin)		Double Grouser	747 mm (29 in.)		
9.12-m (29.9 ft.) Boom		G Upperstructure Width With Standard Walkway	3.20 m (10 ft. 6 in.)		
Maximum	9.12 m (29 ft. 11 in.)	H Track Gauge	2.72 m (8 ft. 11 in.)		
Minimum	3.68 m (12 ft. 1 in.)	I Width Over Tracks			
Cutting Swath	5.44 m (17 ft. 10 in.)	610-mm (24 in.) Track Shoes	3.33 m (10 ft. 11 in.)		
		711-mm (28 in.) Track Shoes	3.43 m (11 ft. 3 in.)		

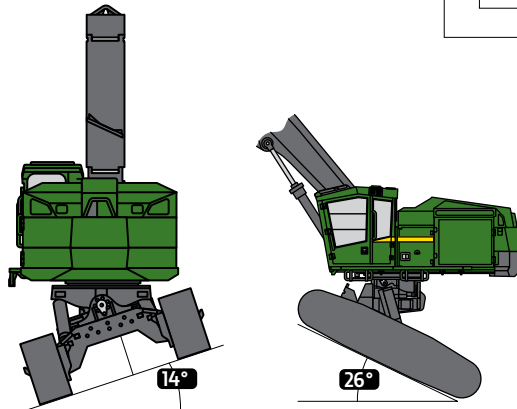
959MH Tracked Harvester



959MH Leveling

959MH Undercarriage-Leveling Mechanism

Forward	26 deg.
Side to Side	14 deg.
Rearward	7 deg.



Contact us to learn more.

JohnDeere.com/TrackedHarvesters

JohnDeere.ca/TrackedHarvesters



MTH959U (22-04)

